

RHEKEN
EXPERT OF HIGH QUALITY HOUSEHOLD PUMP

9-10

Floor & below

RJm90-1500(A)

5

Floor & below

RJm70-600(A)

7-8

Floor & below

RJm90-1100(A)

4

Floor & below

RJm60-300(A)/RJm60-400(A)

6

Floor & below

RJm80-800(A)

3

Floor & below

RJm60-128/RJm60-130A/
RJm60-200(A)

AUTOMATIC
HOT&COLD WATER SELF-PRIMING PUMP

INVERTER PUMP

Brief Description

Constant Pressure Inverter pump

WL-E series constant pressure variable frequency self-priming pump is a small water supply system, with inter-grated inverter, the pump can keep the pipe pressure at a constant level by adjusting the rotation. With built-in pressure sensor, which can detect pressure changes in the water pipe, the motor rotation varies with the pipe pressure changes to keep the pump output required constant pressure. The constant pressure variable frequency self-priming pump is easy to install, it runs when power on, achieves the effect of plug-and-play. The transmission liquid should be non-corrosive clear water without solid particle or fiber.



PRODUCT STRUCTURE

-  Private House
-  Garden
-  Business Building



PARAMETER

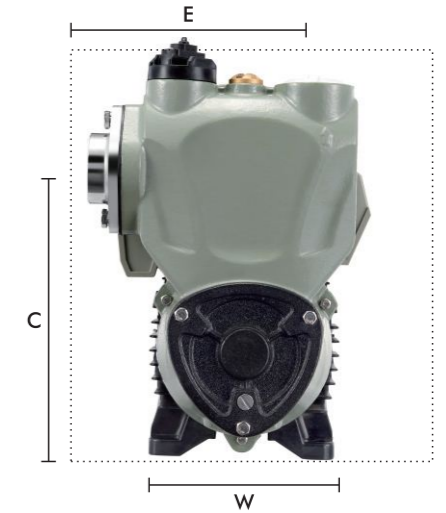
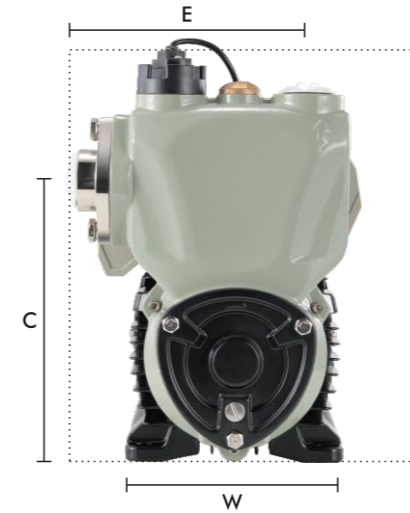
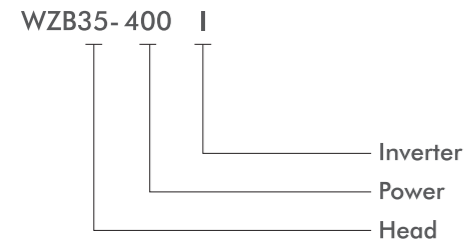
- Voltage: 220V
- Frequency: 50Hz
- Liquid: Clean Water
- Max suction: 8m
- Insulation Class: Class F
- Protection Class: IPX4
- Liquid Temperature: 0-90°C
- Ambient Temperature: 0-45°C

CERTIFICATE



CONSTANT PRESSURE INVERTER PUMP

Model Description



Product Features



Intelligent



High Efficient

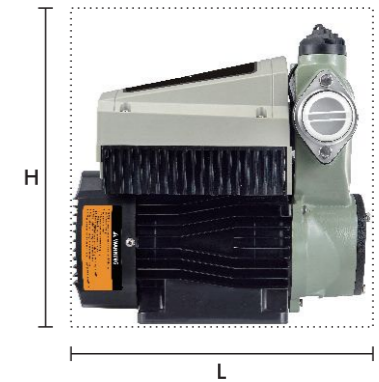
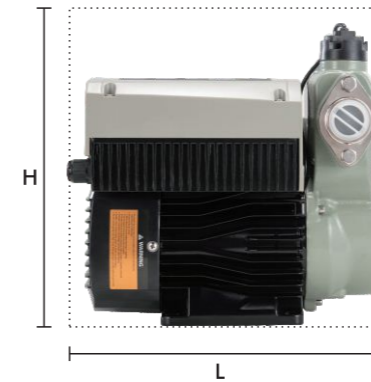
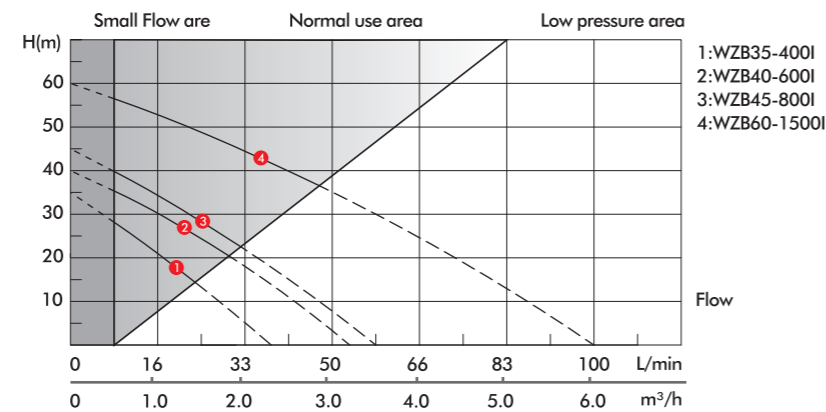


Silent



Easy Display

Product Performance Chart



Product Parameter

Model	Voltage (V/Hz)	Power (W)	Current (A)	Max. Flow (m³/h)	Max. Head (m)	Suction (m)	Pipe size (mm)	Gross Weight (KG)	Carton Size (mm)	Rotation Speed Range (r/min)
WZB35-400I	220/50	400	2.7	2.3	35	8	25	12.0	345x252x310	0-3450
WZB40-600I	220/50	600	4.2	3.2	40	8	25	15.4	340x264x328	0-3450
WZB45-800I	220/50	800	5.2	3.5	45	8	25	16.3	340x264x328	0-3450
WZB60-1500I	220/50	1500	10.0	6.0	60	8	40	24.3	380x280x380	0-3450

Mounting Dimensions

(mm)

Model	C	E	H	L	W	Model	C	E	H	L	W
WZB35-400I	163.5	141	251	274	120	WZB60-1500I	229	179	325	328	150
WZB40-600I	190	148	275	290	148						
WZB45-800I	190	148	275	290	148						